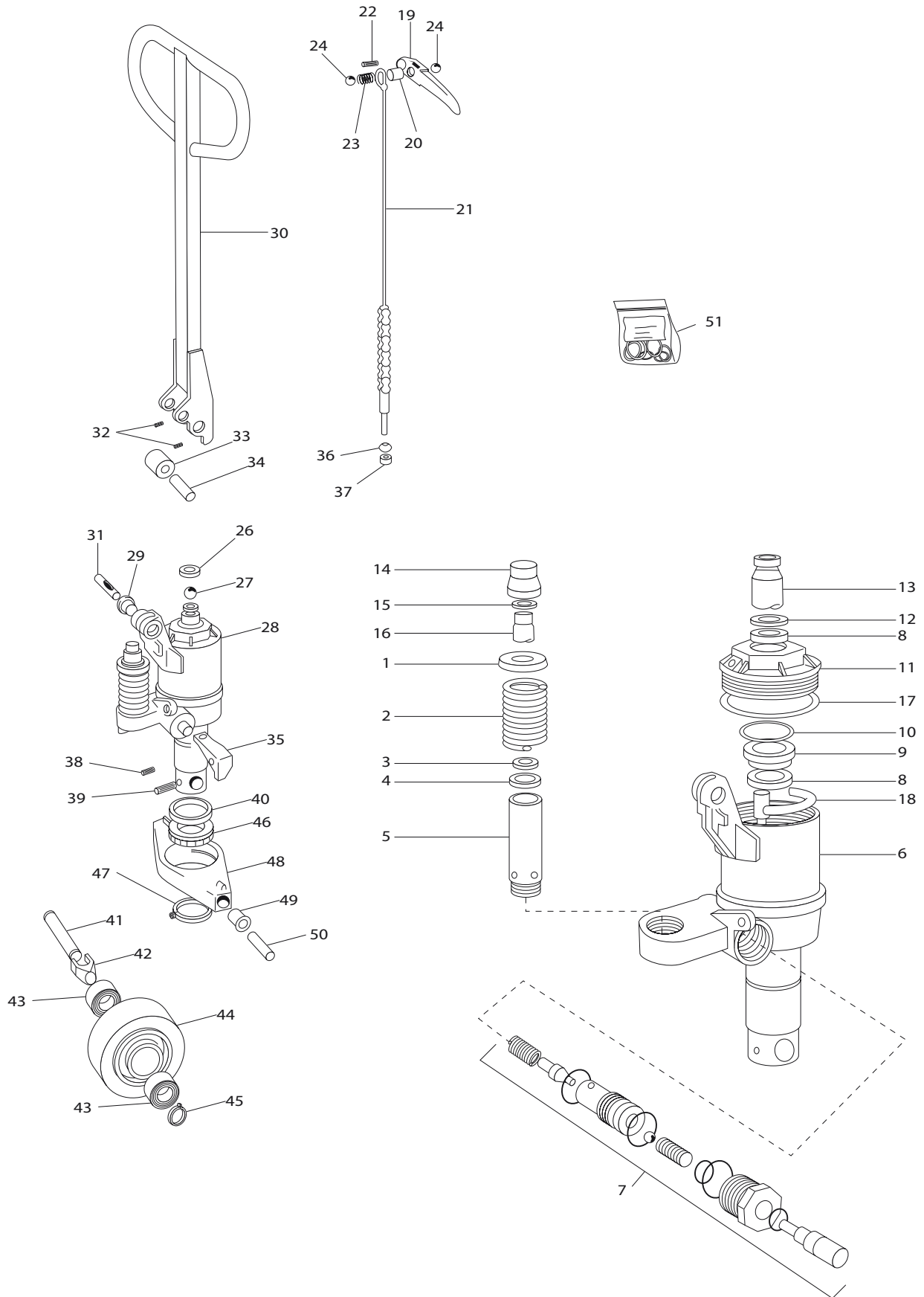


USED FOR BOLZONI TSM EASYLIFT

hydraulic unit



HAND PALLET TRUCK PARTS

For all our latest catalogue updates and company info: www.tvh.com

USED FOR BOLZONI TSM EASYLIFT

N°	Reference	Qty	Description	N°	Reference	Qty	Description
1	119TA9835	1	washer	46	120TA9720	1	bearing
2	119TA9836	1	spring	47	120TA9721	1	circlip
3	119TA9906	1	seal	48	120TA9722	1	pump support
4	119TA9837	1	seal	49	120TA9723	2	bushing
5	119TA9838	1	pump housing	50	120TA9724	2	pin
6	119TA9839	1	pump body	51	119TA9900	1	sealkit
7	119TA9840	1	valve kit				
8	120TA9689	2	seal				
9	119TA9842	1	rod guide				
10	120TA9690	1	circlip				
11	119TA9844	1	cap				
12	120TA9691	1	seal				
13	119TA9846	1	rod				
14	119TA9847	1	roller support				
15	120TA9692	1	seeger				
16	119TA9849	1	rod				
17	120TA9693	1	circlip				
18	119TA9851	1	suction pipe				
19	120TA9694	1	descent hand lever				
20	120TA9745	1	bushing				
21	120TA9746	1	pulling wire				
22	120TA9697	1	pin				
23	120TA9698	1	spring				
24	120TA9699	2	ball				
26	120TA9703	1	washer				
27	120TA9704	1	ball				
28	119TA9860	1	complete pump				
29	120TA9705	2	bushing				
30	120TA9706	1	steering bar				
31	120TA9707	1	pin				
32	120TA9708	2	screw				
33	120TA9709	1	roller				
34	120TA9710	1	pin				
35	120TA9711	1	lever				
36	120TA9712	1	articulated joint				
37	120TA9713	1	nut				
38	120TA9714	1	pin				
39	119TA9870	1	pin				
40	120TA9715	1	washer				
41	119TA9872	1	wheel pin				
42	119TA9873	2	wheel spacer				
43	120TA9716	4	bearing				
44a	120TA9717	2	wheel rubber				
44b	120TA9718	2	wheel poly				
44c	120TA9750	2	wheel nylon				
45	119TA9875	2	circlip				

USED FOR BOLZONI TSM EASYLIFT

main frame

