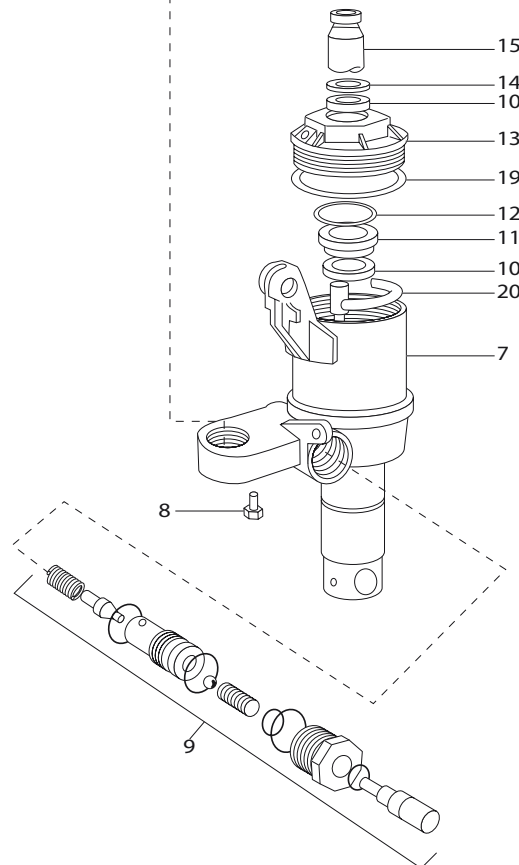
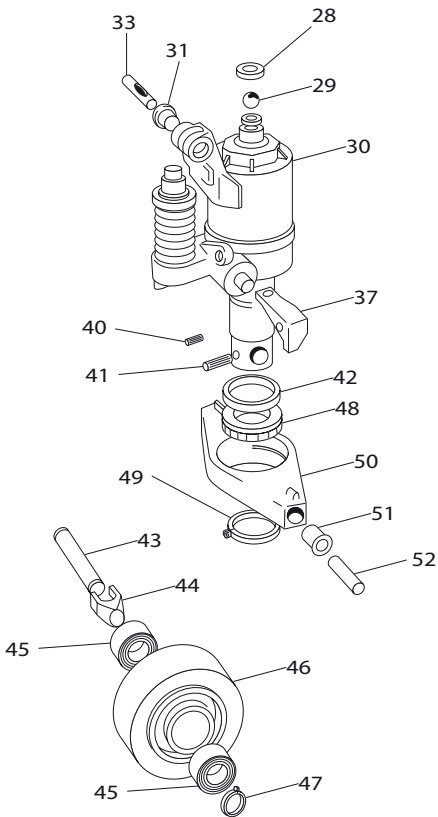
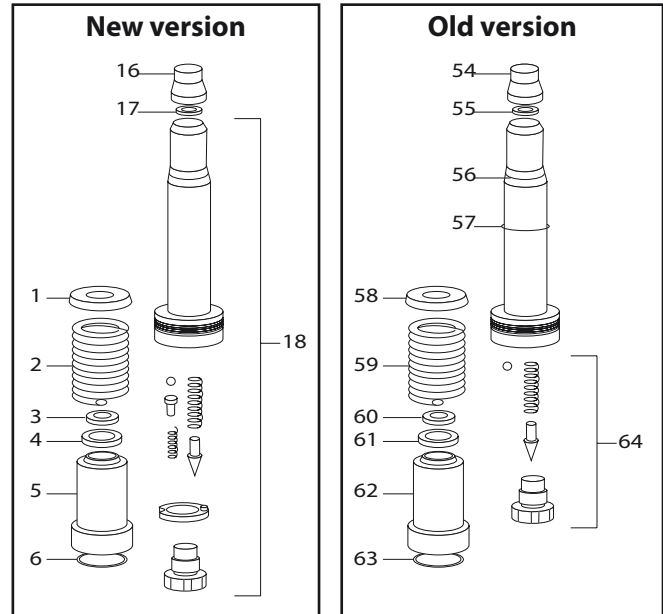
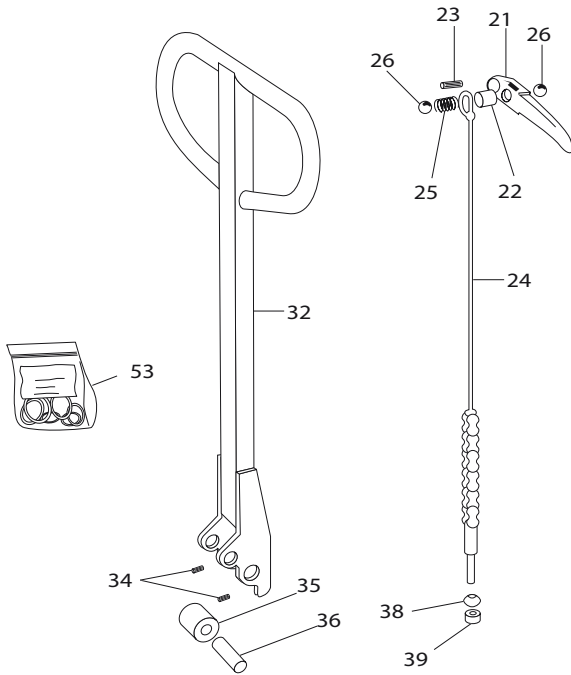


USED FOR BOLZONI TSM QUICKLIFT

hydraulic unit



HAND PALLET TRUCK PARTS

For all our latest catalogue updates and company info: www.tvh.com

USED FOR BOLZONI TSM QUICKLIFT

N°	Reference	Qty	Description	N°	Reference	Qty	Description
1	119TA9907	1	washer	46c	120TA9750	2	wheel nylon
2	119TA9908	1	spring	47	119TA9875	2	seeger
3	120TA9737	1	seal	48	120TA9720	1	bearing
4	120TA9738	1	seal	49	120TA9721	1	seeger
5	119TA9909	1	pumping body	50	120TA9722	1	pump support
6	120TA9739	1	o-ring	51	120TA9723	2	bushing
7	119TA9911	1	pump housing	52	120TA9724	2	pin
8	120TA9740	4	screw	53	119TA9900	1	sealkit
9	119TA9840	1	valve kit	54	124TA8720	1	rolholder
10	120TA9689	2	seal	55	124TA6795	1	ring
11	120TA9741	1	rod guide	56	124TA6880	1	pump stange
12	120TA9690	1	seeger	57	124TA6878	1	o-ring
13	120TA9742	1	cap	58	124TA6870	1	washer
14	120TA9691	1	seal	59	124TA6871	1	spring
15	120TA9743	1	rod	60	124TA6778	1	seal
16	119TA9847	1	roller support	61	124TA6780	1	seal
17	120TA9692	1	seeger	62	124TA6872	1	pump housing
18	120TA9744	1	rod assembly	63	124TA6873	1	o-ring
19	120TA9693	1	o-ring	64	124TA6877	1	valve kit
20	119TA9851	1	suction pipe				
21	120TA9694	1	descent hand lever				
22	120TA9745	1	bushing				
23	120TA9697	1	pin				
24	120TA9746	1	pulling wire				
25	120TA9698	1	spring				
26	120TA9699	2	ball				
28	120TA9703	1	washer				
29	120TA9704	1	ball				
30	119TA9860	1	complete pump				
31	120TA9705	2	bushing				
32	120TA9706	1	steering bar				
33	120TA9707	1	pin				
34	120TA9708	2	screw				
35	120TA9709	1	roller				
36	120TA9710	1	pin				
37	120TA9711	1	lever				
38	120TA9712	1	articulated joint				
39	120TA9713	1	nut				
40	120TA9714	1	pin				
41	119TA9870	1	pin				
42	120TA9715	1	washer				
43	119TA9872	1	wheel pin				
44	119TA9873	2	wheel spacer				
45	120TA9716	4	bearing				
46a	120TA9717	2	wheel rubber				
46b	120TA9718	2	wheel poly				

USED FOR BOLZONI TSM QUICKLIFT

main frame

