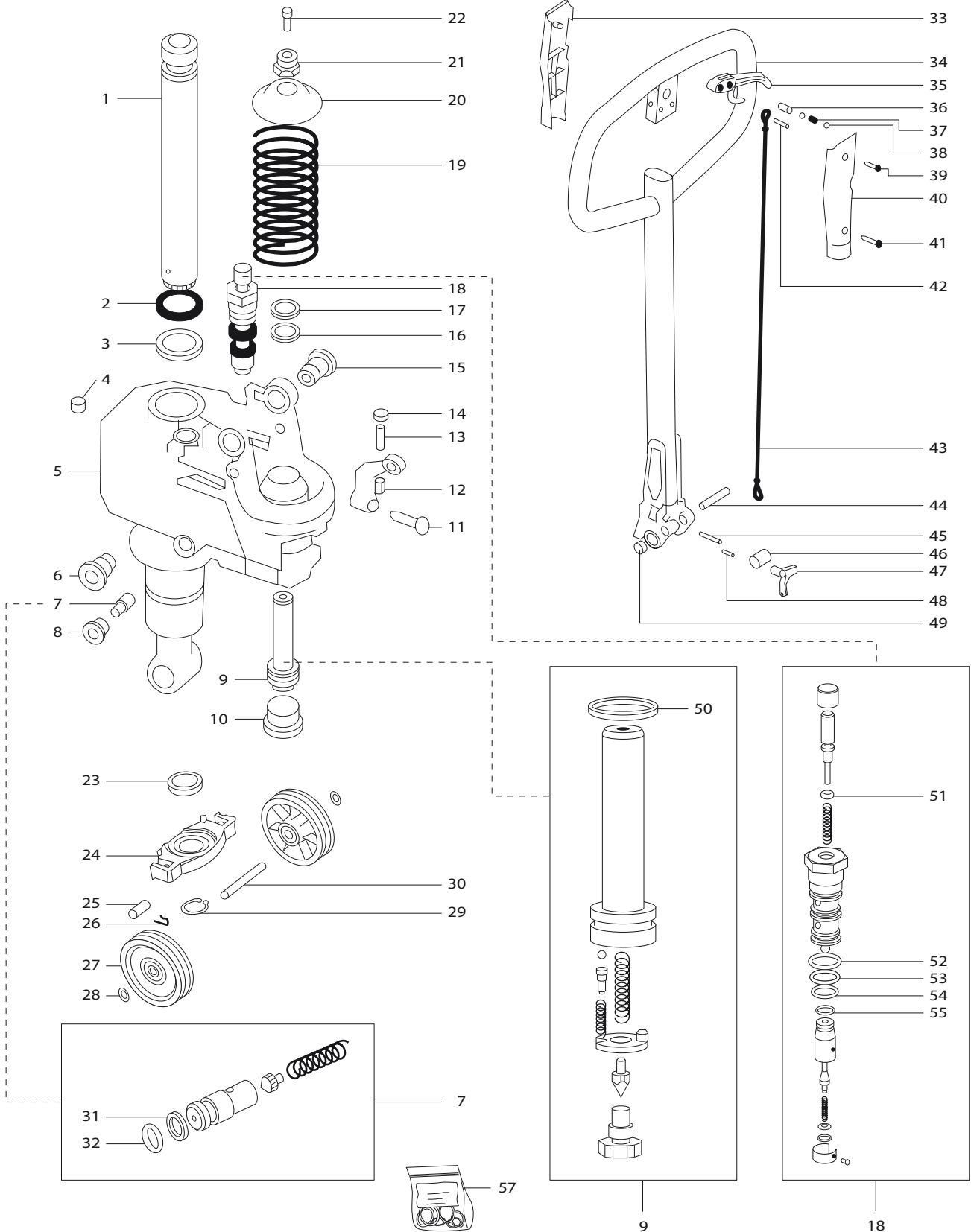


USED FOR BOLZONI TSM 1 QUICKLIFT

hydraulic unit



HAND PALLET TRUCK PARTS

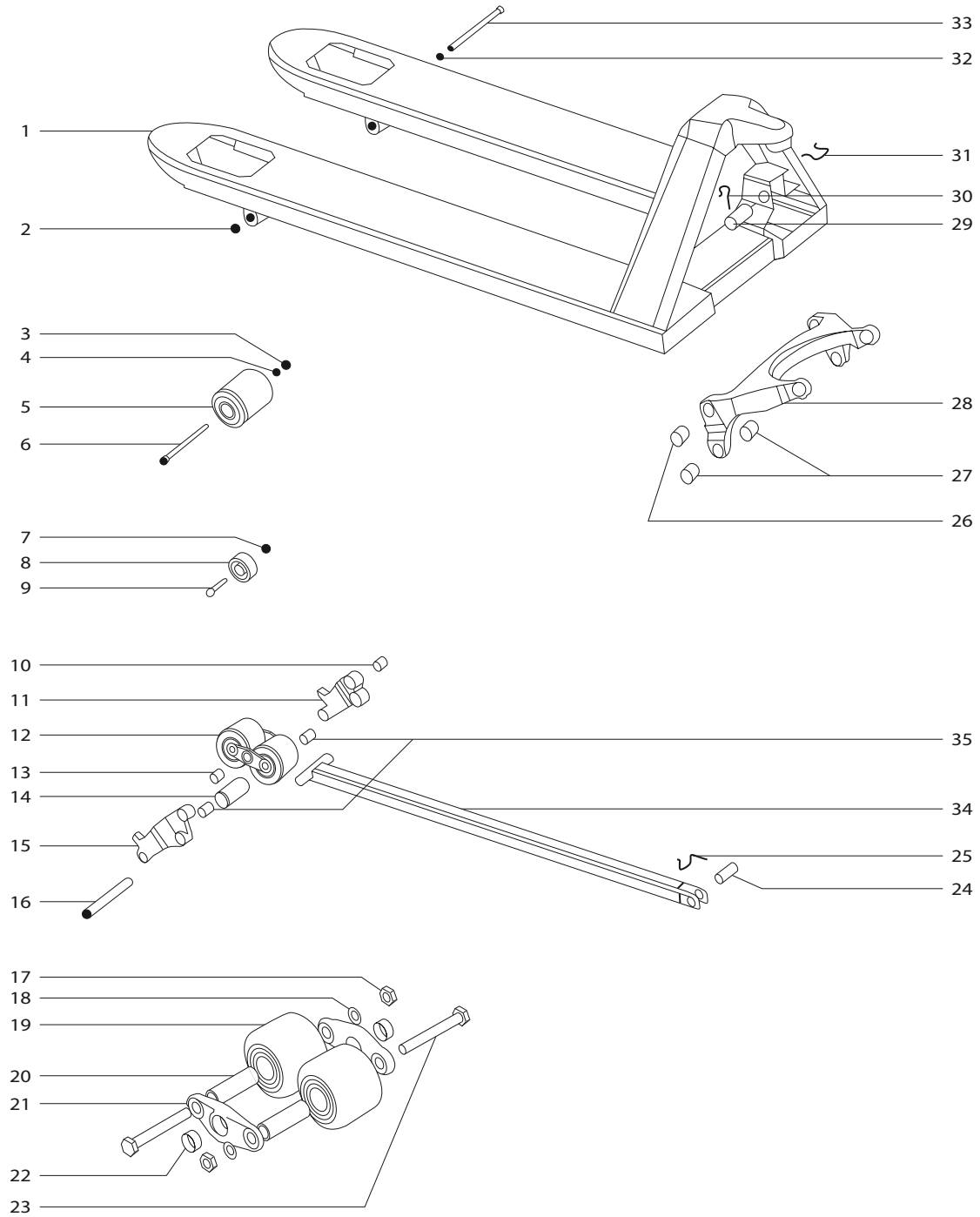
For all our latest catalogue updates and company info: www.tvh.com

USED FOR BOLZONI TSM 1 QUICKLIFT

N°	Reference	Qty	Description	N°	Reference	Qty	Description
1	124TA5660	1	rod	45	124TA5674	1	pin
2	124TA5662	1	scraper	46	124TA5676	1	roller
3	120TA9689	1	seal	47	124TA5678	1	lever
4	124TA5665	1	cap	48	124TA5680	1	pin
5	124TA5667	1	pump body	49	124TA5702	1	o-ring
6	124TA5669	1	pin	50	124TA5703	1	o-ring
7	124TA5671	1	valve	51	124TA5704	1	o-ring
8	124TA5673	1	cap	52	124TA5705	1	o-ring
9	124TA5675	1	rod assy	53	124TA5706	1	o-ring
10	124TA5677	1	cap	54	124TA5707	1	o-ring
11	124TA5679	1	screw	55	124TA5708	1	o-ring
12	124TA5681	1	lever	56	124TA5709	1	quicklift pump
13	124TA5682	1	screw	57	107TA6988	1	sealkit
14	120TA9700	1	nut				
15	124TA5683	1	pin				
16	120TA9738	1	seal				
17	120TA9737	1	seal				
18	124TA5684	1	valve assy				
19	119TA9908	1	spring				
20	124TA5685	1	washer				
21	124TA5686	1	roller support				
22	124TA5687	1	screw				
23	124TA5688	1	bearing				
24	124TA5689	1	pump support				
25	124TA5647	1	pin				
26	124TA5653	4	spring				
27a	124TA5690	2	rubber wheel				
27b	124TA5691	2	poly wheel				
27c	124TA5692	2	nylon wheel				
28	124TA5693	2	circlip				
29	124TA5694	1	circlip				
30	124TA5695	1	wheel pin				
31	124TA5696	1	seal				
32	124TA5697	1	o-ring				
33	124TA6887	1	cover				
34	124TA5698	1	steering bar				
35	124TA5699	1	descent hand lever				
36	124TA5700	1	pulling wire fixing				
37	124TA5701	1	spring				
38	124TA5661	2	ball				
39	124TA5663	1	screw				
40	124TA5664	1	cover				
41	124TA5666	1	screw				
42	124TA5668	1	pin				
43	124TA5670	1	pulling wire				
44	124TA5672	1	pin				

USED FOR BOLZONI TSM 1 QUICKLIFT

main frame



HAND PALLET TRUCK PARTS

For all our latest catalogue updates and company info: www.tvh.com

USED FOR BOLZONI TSM 1 QUICKLIFT

N°	Reference	Qty	Description	N°	Reference	Qty	Description
1a	124TA5619	1	frame 950 x 530	34c	124TA5658	2	push rod 1150
1b	124TA6884	1	frame 800 x 690	35	124TA5659	4	bushing
1c	124TA6885	1	frame 1150 x 690				
1d	124TA5620	1	frame 1150 x 530				
1e	124TA6886	1	frame 950 x 690				
1f	124TA5621	1	frame 800 x 530				
2	124TA5622	2	nut				
3	124TA5622	2	nut				
4	124TA5623	2	washer				
5a	124TA5624	2	ads roller 82 x 100				
5b	124TA5625	2	poly roller 82 x 100				
5c	124TA5626	2	nylon roller 82 x 100				
6	124TA5627	2	screw				
7	124TA5628	2	nut				
8	124TA5629	2	roller				
9	124TA5630	2	screw				
10	124TA5631	4	bushing				
11	124TA5632	2	right lever				
12a	124TA5633	2	assy nylon wheel				
12b	124TA5634	2	assy ads wheel				
12c	124TA5635	2	assy poly wheel				
13	124TA5631	4	bushing				
14	124TA5711	2	roller				
15	124TA5636	2	left lever				
16	124TA5637	2	pin				
17	124TA5638	4	nut				
18	124TA5639	4	washer				
19a	124TA5640	4	nylon roller 82 x 67				
19b	124TA5641	4	poly roller 82 x 67				
19c	124TA5642	4	ads roller 82 x 67				
20	124TA5643	4	pin				
21	124TA5644	4	plate with bushing				
22	124TA5645	2	bushing				
23	124TA5646	4	screw				
24	124TA5647	2	pin				
25	124TA5648	2	spring				
26	124TA5649	2	bushing				
27	124TA5650	4	bushing				
28	124TA5651	1	torsion arm				
29	124TA5652	2	pin				
30	124TA5653	4	spring				
31	124TA5654	1	spring				
32	124TA5623	2	washer				
33	124TA5655	2	screw				
34a	124TA5656	2	push rod 800				
34b	124TA5657	2	push rod 950				